

TAIZHOU TONHE FLOW CONTROL EQUIPMENT CO., LTD

TONHE

A100-T Series

Electric Stainless steel304 Shut off Valve



Application

- Water meter , water leak detection system and water treatment etc equipment
- HAV and fire works. Automatic drain system
- Irrigation ect small control equipment

ADD: No.1012 Xincheng Road, Huangyan, Taizhou, Zhejiang, China

TEL: +86-576-81100233/84297288.

FAX: +86-576-81100232

URL: www.china-tonhe.com

Contact:yoyo

Whatsapp:+86-13676642305

Skype:meizi2661

Email:tonhe08@china-tonhe.com

Technical Parameters:

| | |
|--------------------------|---|
| Product size | □NPT/BSP 1/2"□NPT/BSP 3/4' □NPT/BSP1" (Optional) |
| Maximum working pressure | 1.0MPa |
| Circulation medium | Fluid, air |
| Rated voltage | DC12V/AC/DC24/AC110-230V (Optional) |
| Wiring control methods | CR201/CR202/CR303/CR401/CR501/CR502/CR7-04 (Optional) |
| Static current | ≤1A |
| Open/close time | ≤13S |
| Life time | 100000 times |
| Valve Body material | 304 Stainless steel |
| Actuator material | Engineering Plastics |
| Sealing material | EPDM & PTFE |
| Actuator rotation | 90° |
| Max. torque force | 10N.m |
| Cable Length | 0.5m,1.5m, (Optional) |
| Environment temperature | -15℃~50℃ |
| Liquid temperature | 2℃~90℃ |
| Manual override | No |
| Indicator | Yes |
| Protection class | IP67 |

Assemble diagram :

PART CODE :

| No. | NAME | Material | Specification | Quantity |
|-----|------------|-----------------|---------------|----------|
| 6 | Stem | stainless steel | 304 | 1 |
| 6 | Ball | stainless steel | 304 | 1 |
| 4 | Sealing | PTFE | | 2 |
| 3 | Sealing | PTFE | | 1 |
| 2 | Body Cover | stainless steel | 304 | 1 |
| 1 | Actuator | PFO | | 1 |

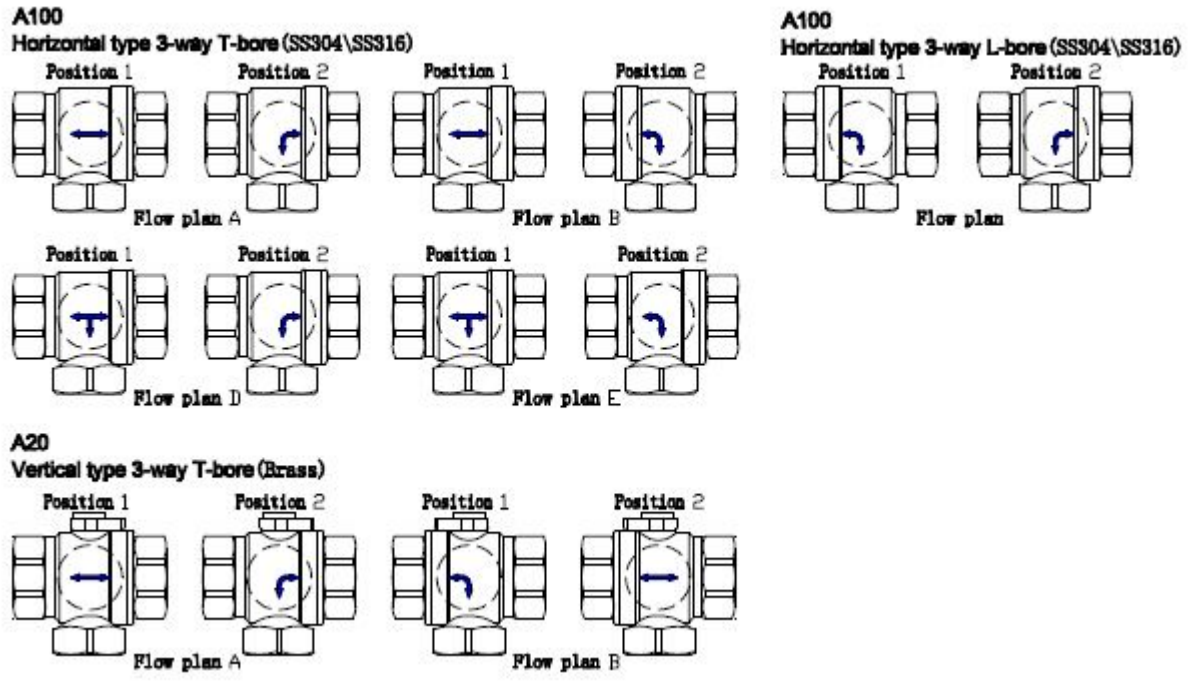
| DESCRIPTION | D1/D2 | d1 | L1 | L2/L3 | E1 | H1 | H2 |
|--------------------------|-------|----|----|-------|------|-------|------|
| T25(1") Electric valve | 1" | 18 | 85 | 17 | 38.5 | 114.5 | 23.5 |
| T20(3/4") Electric valve | 3/4" | 15 | 75 | 16 | 31 | 107 | 20 |
| T15(1/2") Electric valve | 1/2" | 12 | 68 | 15 | 24.5 | 104 | 18 |

| MATERIAL | DRN & DATE | TITLE | MODEL NO. |
|-----------|-------------|----------------------------------|-----------|
| CITY/SET | CHK & DATE | A100-T Electric valve | |
| FINISH | APPO & DATE | | |
| TREATMENT | SCALE | | |

| DRG NO/P00 | REF NO | SHEET NO |
|------------|-------------|----------|
| | A100-02-016 | |
| | | ISSUE |

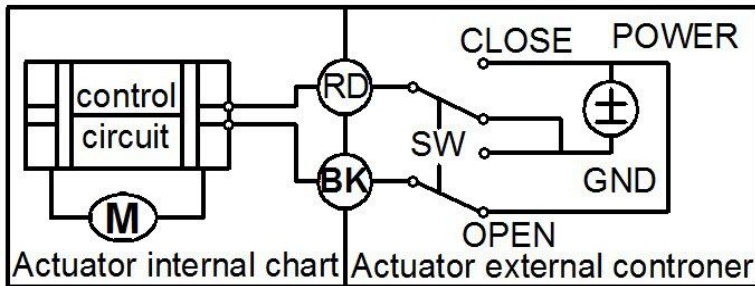
Taizhou Tonhe Flow Control Equipment Co., Ltd www.china-tonhe.com

Flow Direction :



Wiring diagram

CR2 01 Wiring Diagram (2 wires control)



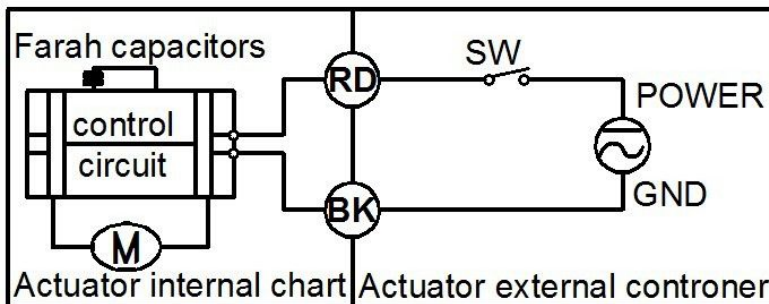
·RD connect with positive, the BK connect with negative, the valve closed, the actuator automatically power off after in place , the valve remains fully closed position .

·BK connect with positive, the RD connect with negative, the valve open, the actuator automatically power off after in place, the valve remains fully open position .

* Suitable Working Voltage: DC12V/DC24V

* Exceeding the working voltage is forbidden

CR2 02 Wiring Diagram (2 wires control – Spring return in case of the power is failure)



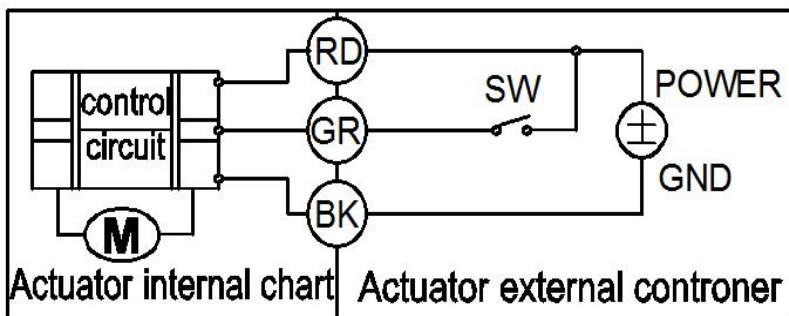
·When SW is closed , the valve open. the actuator automatically power off after in place

·When SW is open, the valve closed, the actuator automatically power off after in place

* Suitable Working Voltage: **AC/DC110V-230V,AC/DC12-24V**

* Exceeding the working voltage is forbidden

CR3 03 Wiring Diagram (3 wires control)



• RD connect with positive, GR connect with SW & positive

• BK connect with negative

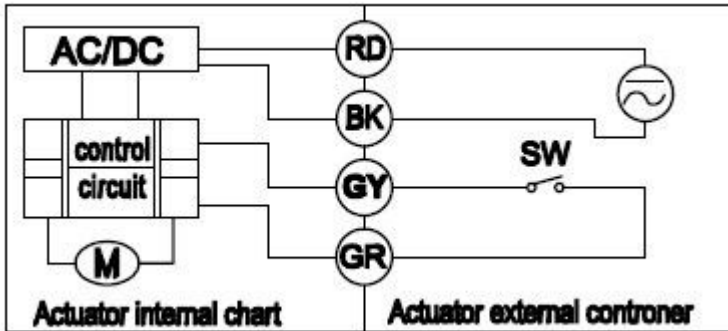
• When the SW of GR closed, the valve OPEN, the actuator automatically power off after in place , remains fully

closed position

• When the SW of GR open, the valve CLOSED, the actuator automatically power off after in place , remains fully open position.

* Suitable Working Voltage: DC12V/AC/DC24V

CR4 01 Wiring Diagram (4 wires control)

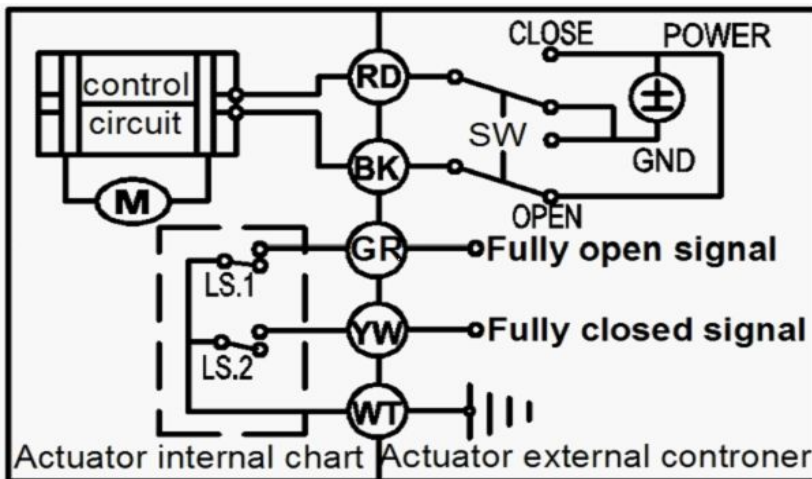


- 1、 RD & BK are connected to the power, GY& GR are connected to the controlled wiring.
- 2、 When the SW is closed , the valve open
- 3、 When the SW is open , the valve closed

Suitable Working Voltage:**AC110V-230V** .Exceeding the working voltage is forbidden

The control wiring with power DC24V , when multiple motorized valves are working in paralled , must put the same color control wiring together, otherwise the valve could working normally .

CR5 01 Wiring diagram (with feedback signal)

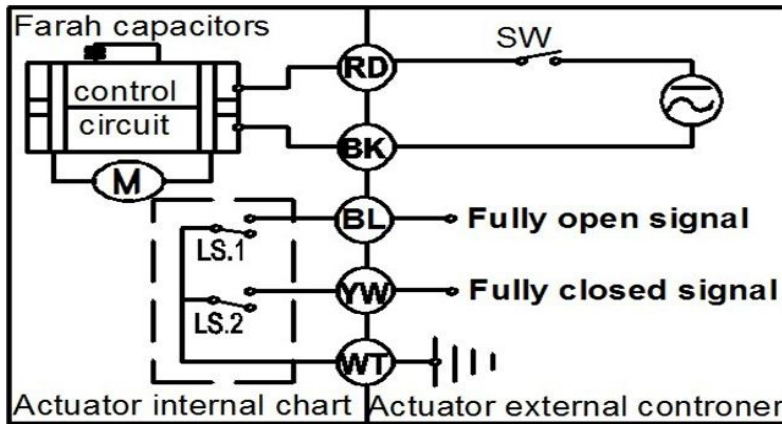


1. RD connect with positive, the BK connect with negative, the valve closed, the actuator automatically power off after in place .
- 2 BK connect with positive, the RD connect with negative, the valve open, the actuator automatically power off after in place .
4. GR & WT are connect when the valve open fully, YW & WT are connect when the valve closed fully

Suitable Working Voltage:: DC12V/DC24V

Exceeding the working voltage is forbidden

CR5 02 Wiring diagram (with feedback signal)



·When SW is closed , the valve open. the actuator automatically power off after in place

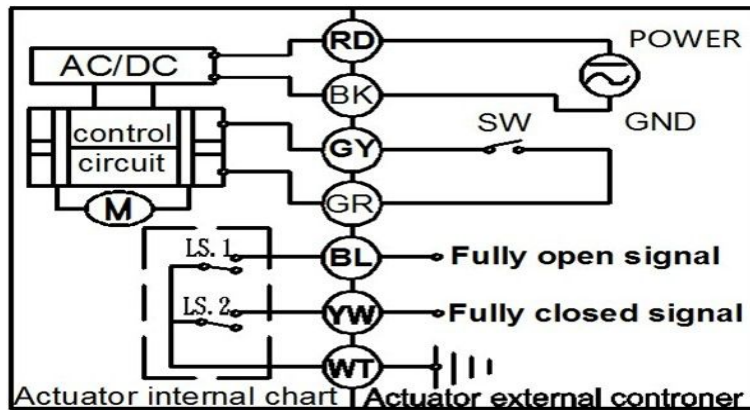
·When SW is open, the valve closed, the actuator automatically power off after in place

* BL & WT are connect when the valve open fully, YW & WT are connect when the valve closed fully

* Suitable Working Voltage: **AC/DC110V-230V,AC/DC12-24V**

* Exceeding the working voltage is forbidden

CR7 04 Wiring Diagram (7 wires control with feedback signal)



·RD & BK are connected to the power, GR & GY are connected to the controlled wiring.

·When the SW is closed , the valve open

·When the SW is open , the valve closed

·BL & GY connect with the valve's fully open signal wiring

·YW & WT connect with the valve's fully closed signal wiring.

Suitable Working Voltage: **AC110V-230V**

Exceeding the working voltage is forbidden