

TONHEFLOW[®]

— Tonhe makes fluid control smarter —

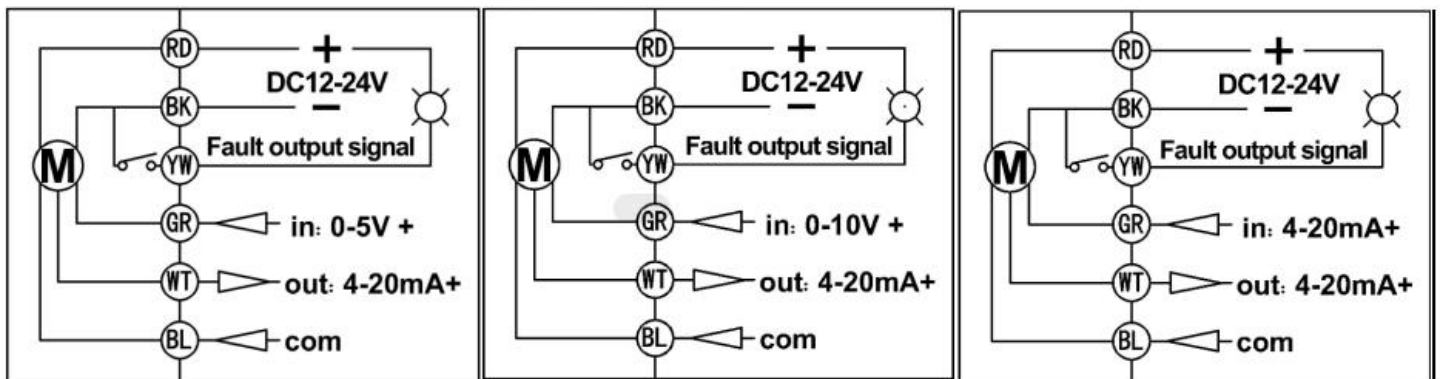
A150 Series Proportional Motorized Valve



Technical Parameters

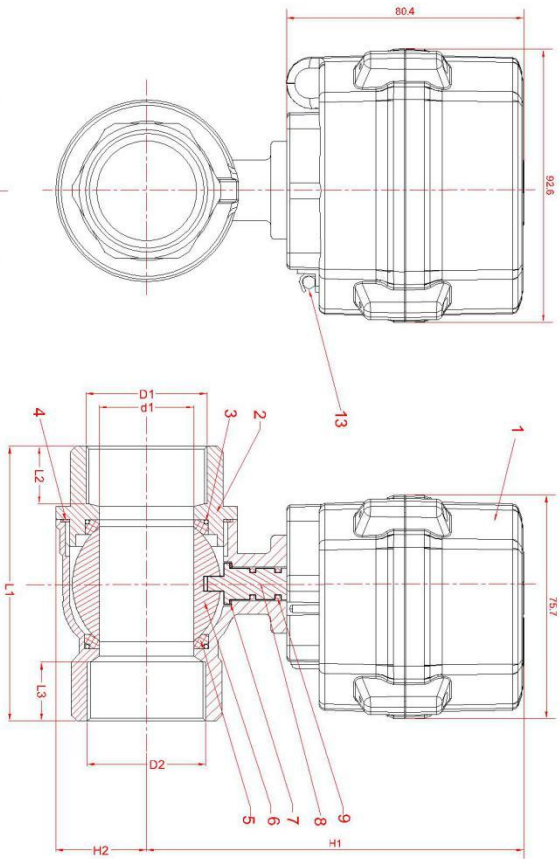
Product size	□NPT/BSP 1 1/4", 1 1/2", 2"
Maximum working pressure	1.0MPa
Circulation medium	Fluid, air
Rated voltage	DC12-24V
control signal	4-20mA, 0-5V, 0-10V (optional)
Wiring control methods	6 wire control with feedback signal
Position	Any position (0~100% is ok)
Open/close time	≤11S
Life time	70000 times
Valve Body material	SS304,brass, UPVC
Actuator material	Engineering Plastics
Sealing material	FKM& PTFE
Actuator rotation	90°
Max. torque force	15 N.m
Cable Length	0.5m 1.5m
Environment temperature	-15℃~60℃
Liquid temperature	2℃~90℃
Manual override	Yes
Indicator	Yes
Protection class	IP67
Company passed	ISO9001:2015

Wiring Diagram: 0-5V,0-10V,4-20mA

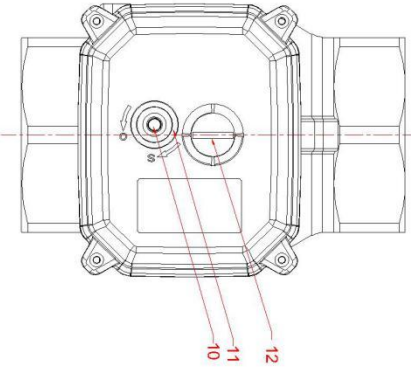


Voltage:DC12-24v,over voltage is not allowed.

Assemble chart



PART CODE :



13	Hexagon wrench	stainless steel	303	1					
12	Indicator	PC		1					
11	Oil-seal	NBR		1					
10	Manual Shaft	stainless steel	303	1					
9	O-ring	FKM		2					
8	Stem	stainless steel	304	1					
7	Gasket	PTFE		1					
6	Ball	stainless steel	304	1					
5	Sealing	PTFE		2					
4	Sealing	PTFE		1					
3	O-ring	FKM		2					
2	Body Cover	stainless steel	304	1					
1	Actuator	PPO		1					
No. NAME		Material	Specification	Quantity					
MATERIAL		DRN & DATE	A150-T 2Way Electric Valve						
QTY/SET		2017-10-14							
FINISH		CHK & DATE							
TREATMENT									
COLOUR		APPD & DATE							
UNIT		MM							
SCALE									
DRG NO/PPD REF NO									
SHEET NO									
ISSUE									

T50(2") Electric valve	2"	49	130	25±1	66	141.4	44.5
T40(1 1/2") Electric valve	1 1/2"	38	115	25±1	52	130	36
T32(1 1/4") Electric valve	1 1/4"	32	102	23±1	47	122	31
DESCRIPTION	D1/D2	d1	L1	L2/L3	E1	H1	H2