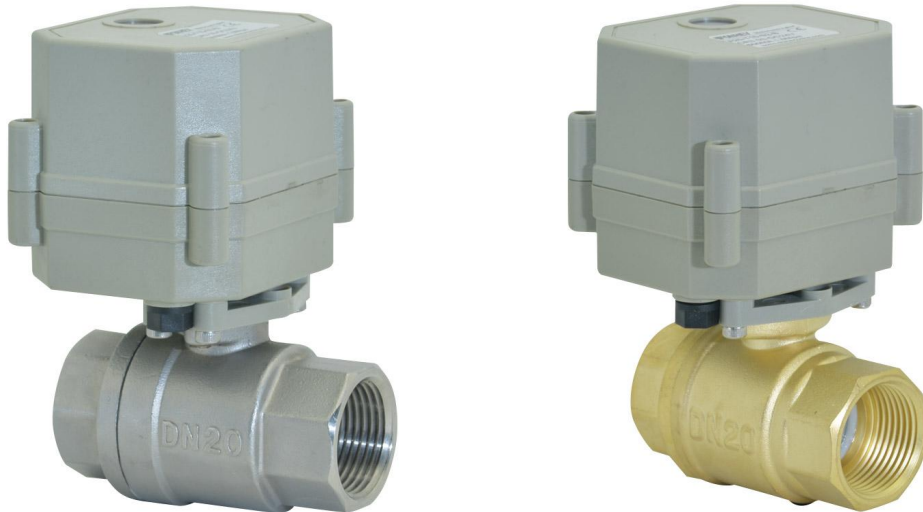


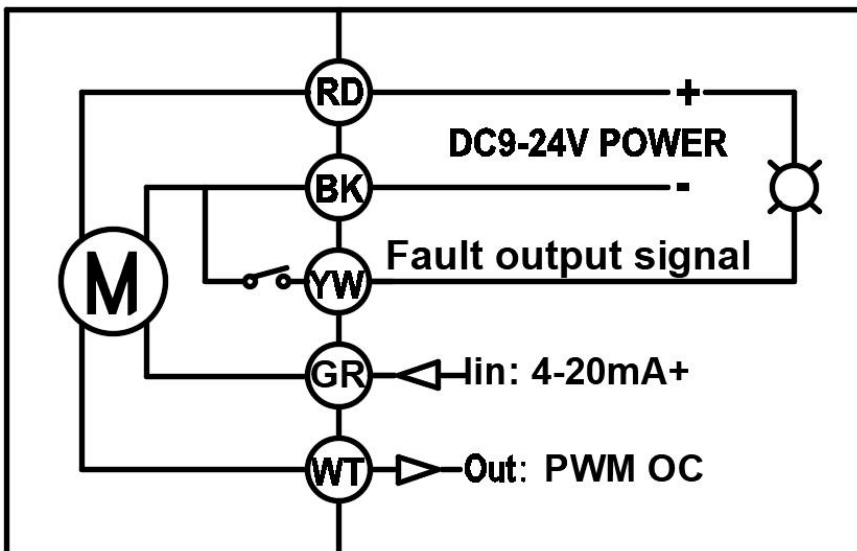
A20 Series Proportional Motorized Ball Valve



Technical Parameters

Valve size	☑NPT/BSP 1/4" 3/8" 1/2" 3/4" 1" (2-way brass / ss304 valve) (Optional)
Maximum working pressure	1.0MPa
Circulation medium	Fluid, air,water
Rated voltage	DC9-24V
control signal	4-20mA 、 0-5V、 0-10V (optional)
Wiring diagram	5 wire control with feedback signal
Open/close time	≤7S
Life time	70000 times at least
Valve material	Brass, SS304 (Optional)
Actuator material	PPO Engineering Plastics
Sealing material	FKM & PTFE
Actuator rotation	90°
Max. torque force	3N.m
Cable Length	0.5m
Environment temperature	-15°C ~ 60°C
Liquid temperature	2°C ~ 90°C
Manual override	No
Indicator	Yes
Protection class	IP67
Product certificate	LVD, EMC,ROHS
Company system certification	ISO 9001:2015
Locked-rotor Current	500mA
Locked-rotor Delay Time	2-4s

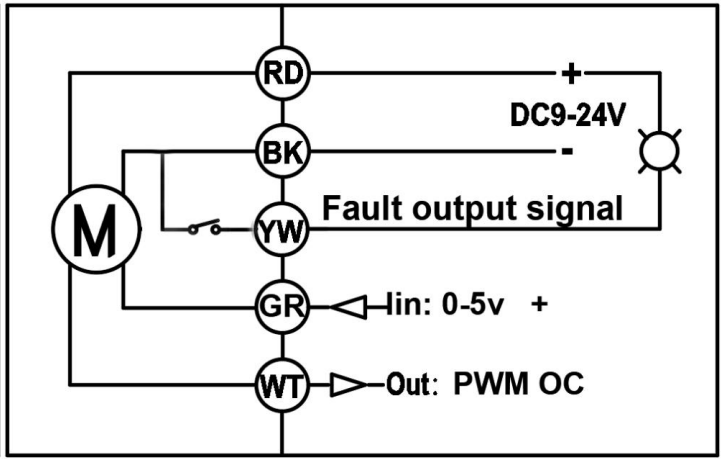
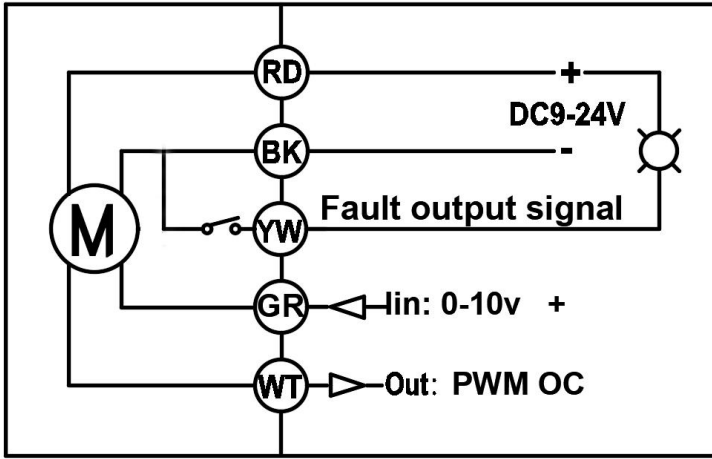
Wiring diagram: Input signal can be 4-20mA, 0-5v and 0-10v.



- 1, RD connects DC9-24V positive
- 2, BK connects DC9 ~ 24V negative, / 4-20mA-/0-5V-/0-10V-negative
- 3 GR connects position input /control current +/ control voltage +(4-20mA, 0-5V, 0-10V) positive pole
- 4, YW connect ERR output ,OC output
- 5, WT connect position feedback ,OC output PWM signal

0-10v

0-5v



Assemble chart

PART CODE :

No.	Name	Material	Specification	Quantity
9	O-ring	FKM		2
8	Stem	Stainless Steel	304	1
7	Gasket	PTFE		1
6	Ball	Stainless Steel	304	1
5	Sealing	PTFE		2
4	Sealing	PTFE		1
3	O-ring	FKM		2
2	Body Cover	Stainless Steel	304	1
1	Actuator	PPO		1

Description	D1/D2	d	L1	L2	E1	H1	H2
25-S2-C-H	1"	25	81	18	38	90	24.5
20-S2-C-H	3/4"	20	72	17	31	88	20
15-S2-C-H	1/2"	15	62	14	25	84.5	17
10-S2-C-H	3/8"	10	51	12	21	82.5	14
8-S2-C-H	1/4"	8	51	12	21	82.5	14

MATERIAL	DRN & DATE	A20 Electric valve	MODEL NO
QTY/SET	2019/10/29		
FINISH	CHK & DATE		
TREATMENT	APPD & DATE		
COLOUR			SHEET NO
UNIT	MM		ISSUE
SCALE		DRG NO./POD REF NO	

Taizhou Tonhe Flow Control Equipment Co.,Lts

www.china-tonhe.com

V ball appearance: Generally ball in the valve is round, but can change it to V type as below shows, it is optional.



A20-T15-B2-CR201-C

